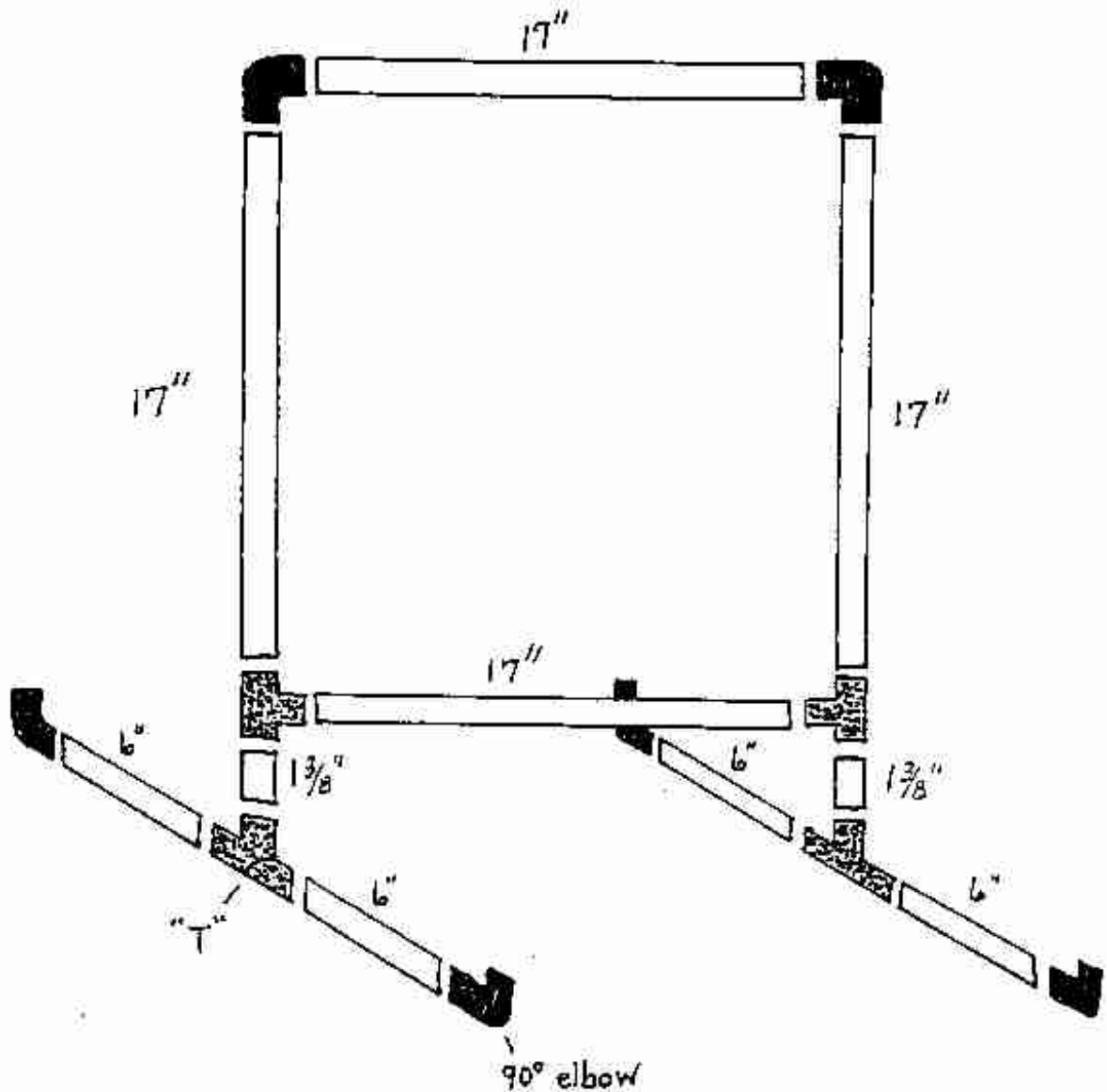


# PVC Pipe Stand

(1/2 inch pipe)

For use with:

## Felt Boards and Old Lady Who Swallowed a Fly



Directions for the "Old Lady..." so you can use on the stand:

1. Cut the white felt strips from both sides of the "Old Lady" (not the top or the bottom).
2. Make sure that the white fabric can make a loop that will go around the pvc pipe. If it does not, you may have to glue some of the fabric you cut from the sides to make it long enough.
3. When you have enough to fit all the way around the pipe, glue the end down. The old woman should be tight, but not stretched.
4. Follow the directions included with the set to cut and reinforce her mouth.